

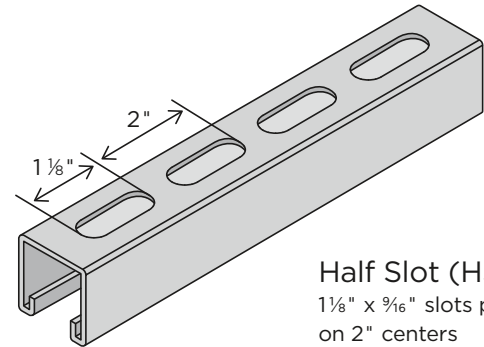
Metal Framing

Manufactured right here in the USA, ZI-Strut™ is made with cold-roll-formed, structural grade carbon steel.

ZIP12-158 | 1 5/8" x 1 5/8" Channel

Metal thickness is 12 gauge (0.105").

Standard finish is Pre-Galvanized (PG).



Half Slot (HS)
1 5/8" x 5/16" slots punched on 2" centers

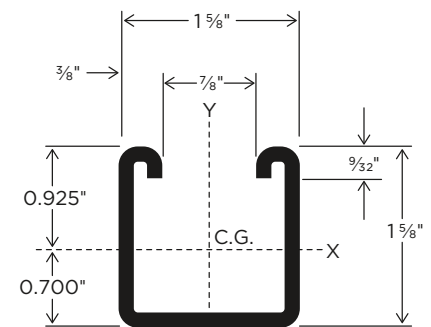
ELEMENTS OF SECTION

CATALOG #	STOCK #	PUNCH	LENGTH	WEIGHT	AREA OF SECTION			AXIS X-X			AXIS Y-Y			BUNDLE QTY
					ft.	lbs./ft.	in. ²	I (in. ⁴)	S (in. ³)	R (in.)	I (in. ⁴)	S (in. ³)	R (in.)	
ZIP12-158	5201010000P	HS	10	1.89	0.583	0.188	0.203	0.581	0.257	0.316	0.680	500		
ZIP12-158	5201020000P	HS	20	1.89	0.583	0.188	0.203	0.581	0.257	0.316	0.680	500		

I: Moment of inertia
S: Section modulus
R: Radius of gyration

BEAM AND COLUMN LOADS DATA

CATALOG #	BEAM SPAN OR UNBRACED COLUMN HEIGHT	UNIFORM LOAD AT STRESS OF 25,000 PSI	DEFLECTION AT STRESS OF 25,000 PSI	UNIFORM LOAD WHEN MAXIMUM DEFLECTION = SPAN/240	MAXIMUM ALLOWABLE LOAD OF COLUMN
	in.	lbs.	in.	lbs.	lbs.
ZIP12-158	18	2213	0.031	2213	11300
	24	1680	0.055	1680	9700
	30	1340	0.086	1340	8850
	36	1125	0.125	1125	8600
	42	950	0.168	950	7550
	48	855	0.225	757	6720
	60	690	0.356	484	5800
	72	555	0.594	336	4970
	84	490	0.693	247	4250
	96	433	0.915	189	3500
	120	335	1.382	121	2100



ZIP12-158

Beam Loads: Loads listed are uniformly distributed; for loads concentrated at center of span, multiply uniform load at table by 0.5 and multiply the deflection by 0.8. When deflection is not a factor, use stress of 25,000 psi. When deflection is a factor, use deflection of SPAN/240.

All weights and dimensions shown are subject to commercial tolerances.

Contact your local rep to order ZI-Strut today.