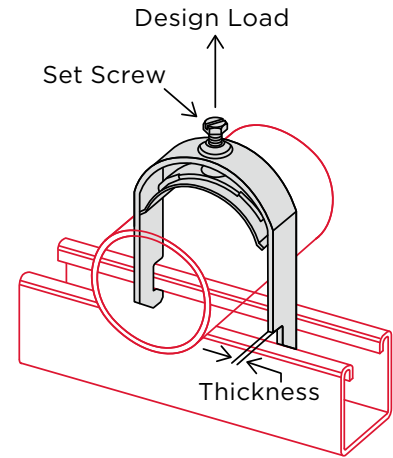


Strut Clamp – ZSCH

One Piece Universal Strut Clamp

Standard finish is Electro-Galvanized (EG).



CATALOG NUMBER	EMT SIZE		RIGID CONDUIT SIZE		THICKNESS	DESIGN LOAD	WEIGHT
	in.	mm	in.	mm			
ZSCH0037EG	3/8	10	—	—	16 Ga. (1.5)	200	7.0
ZSCH0050EG	1/2	15	—	—	16 Ga. (1.5)	200	7.4
ZSCH0075EG	3/4	20	1/2	15	16 Ga. (1.5)	200	8.0
ZSCH0100EG	1	25	3/4	20	14 Ga. (1.9)	300	11.0
ZSCH0125EG	1 1/4	32	1	25	14 Ga. (1.9)	300	12.5
ZSCH0150EG	1 1/2	40	1 1/4	32	12 Ga. (2.6)	400	20.5
ZSCH0200EG	2	50	1 1/2	40	12 Ga. (2.6)	400	21.5
ZSCH020REG	—	—	2	50	12 Ga. (2.6)	400	22.7
ZSCH0250EG	2 1/2	65	2 1/2	65	12 Ga. (2.6)	400	26.0
ZSCH0300EG	3	80	3	80	12 Ga. (2.6)	400	30.2
ZSCH0350EG	3 1/2	90	3 1/2	90	12 Ga. (2.6)	400	33.3
ZSCH0400EG	4	100	4	100	12 Ga. (2.6)	400	36.6

Material Specifications and Finishes

Carbon Steel – ASTM A1011-00 SS GR 33 or ASTM A1011-00CS Type B

EG – Electro-Galvanized. Electroplating deposits zinc on the surface of the steel by electrolysis from a bath of zinc salts. Recommended for relatively dry indoor use. This is the standard coating for most ZI-Strut products. Thickness of applied zinc is between 0.2 mils and 0.5 mils (5.1 µm to 12.7 µm). Coatings on ZI-Strut EG products meet ASTM B633 SC1 Type III.

Note: Specifications subject to change without notice.

SUBMITTAL INFORMATION

PROJECT: _____ CONTRACTOR: _____ DATE: _____

ENGINEER: _____ SPECIFICATION REFERENCE: _____ SYSTEM TYPE: _____

LOCATIONS: _____ COMMENTS: _____

ZI-112823