

Rooftop Support Blocks — ZRSB Bridge Series

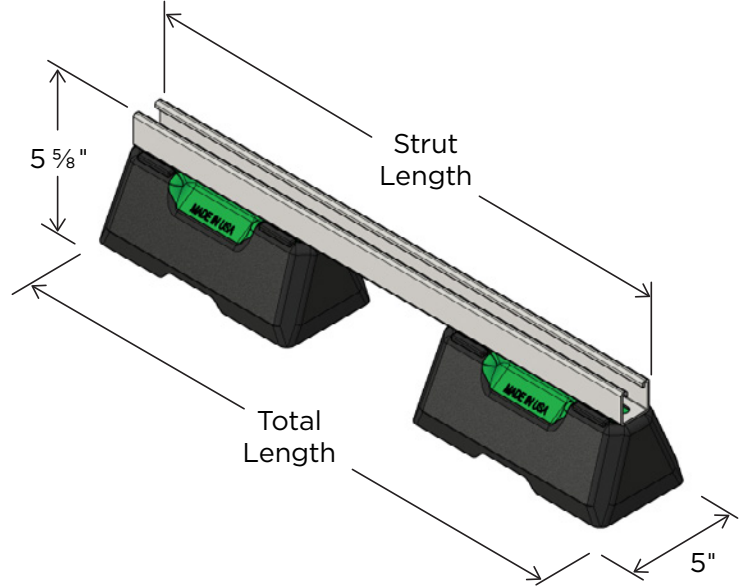
Support With Metal Channel

Standard finish is Pre-Galvanized Zinc (PG).

Like all of the Rooftop Support Blocks supports, the ZRSB Bridge Rooftop Supports are perfect for supporting natural gas and refrigeration piping systems, cable tray, electrical conduit, multiple lines, HVAC equipment and many other applications.

The ZRSB Series provides a longer mounting surface with strut lengths up to 60". Custom lengths are available upon request.

Standard strut mount pipe clamps are used to secure the pipes.



ZRSB BRIDGE SERIES LENGTH SUPPORTS WITH 2 ZRSB BASES WITH 1 1/2" PRE-GALVANIZED 12 GAUGE CHANNEL

CATALOG NUMBER	NO. OF BASES	STRUT LENGTH	TOTAL LENGTH	WEIGHT	UNIFORM LOAD CAPACITY*	
		in.	in.		lbs.	kN
ZRSB22816PG	2	28	29	12.3	2000	8.8
ZRSB23616PG		36	37	13.5	2000	8.8
ZRSB24216PG		42	43	14.4	1800	8.0
ZRSB25016PG		50	51	15.6	1400	6.2
ZRSB26016PG		60	61	17.1	900	4.0

*This load is only for the capacity of the components in this assembly. Please consult roofing manufacturer or engineer for roof load capacity.

Material Specifications and Finishes

Carbon Steel — ASTM A1011-00 SS GR 33 or ASTM A1011-00CS Type B

PG — ASTM A653 G-90 Pre-galvanized zinc is produced by continuously rolling steel coils or sheets through molten zinc at the mills. The coils or sheets are slit to size and fabricated by forming, shearing or punching to produce the finished product. During fabrication cut edges are not generally zinc coated; however, the zinc near the uncoated metal becomes a sacrificial anode to protect the bare areas.

Note: Specifications subject to change without notice.

SUBMITTAL INFORMATION

PROJECT: _____ CONTRACTOR: _____ DATE: _____

ENGINEER: _____ SPECIFICATION REFERENCE: _____ SYSTEM TYPE: _____

LOCATIONS: _____ COMMENTS: _____

ZI-120523