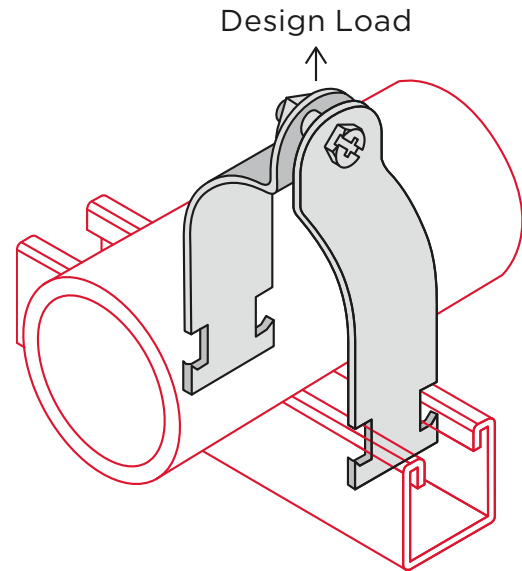


# Strut Clamp – ZSCO

## OD Strut Clamp

Standard finish is Electro-Galvanized (EG).



### Material Specifications and Finishes

Carbon Steel – ASTM A1011-00 SS GR 33 or ASTM A1011-00CS Type B

EG – Electro-Galvanized. Electroplating deposits zinc on the surface of the steel by electrolysis from a bath of zinc salts. Recommended for relatively dry indoor use. This is the standard coating for most ZI-Strut products. Thickness of applied zinc is between 0.2 mils and 0.5 mils (5.1  $\mu\text{m}$  to 12.7  $\mu\text{m}$ ). Coatings on ZI-Strut EG products meet ASTM B633 SC1 Type III.

HD – Hot Dip Galvanized After Fabrication. Fabricated product is dipped in molten zinc and is completely covered on all surfaces. Recommended for outdoor use. Coatings on ZI-Strut HD products meet ASTM A123/153. The zinc coating is typically 2.6 mils (66.0  $\mu\text{m}$ ) or 1.5 oz. per square foot (0.46 kg per square meter) per side.

PV – PVC Coated

S4 – 304 Stainless Steel – ASTM A240 (Type 304)

S6 – 316 Stainless Steel – ASTM A240 (Type 316)  
316 Stainless Steel Nuts – ASTM A276-03

YC – Yellow Zinc Dichromate. A 0.5 mil (12.7  $\mu\text{m}$ ) electro-galvanized zinc plating meeting ASTM B633 SC1 Type III is applied to the surface of the metal. Yellow Dichromate is applied over the zinc. This results in a yellowish gold appearance and acts as a nonporous barrier sealant that is corrosion resistant and can be painted.

Note: Specifications subject to change without notice.

## SUBMITTAL INFORMATION

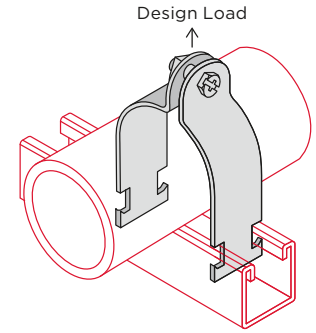
PROJECT: \_\_\_\_\_ CONTRACTOR: \_\_\_\_\_ DATE: \_\_\_\_\_

ENGINEER: \_\_\_\_\_ SPECIFICATION REFERENCE: \_\_\_\_\_ SYSTEM TYPE: \_\_\_\_\_

LOCATIONS: \_\_\_\_\_ COMMENTS: \_\_\_\_\_

WEL-111822

# Strut Clamp – ZSCO



CATALOG NUMBER	SIZE OD			DESIGN LOAD		WEIGHT
	in.	in.	mm	lbs.	kN	lbs.
ZSCO0025EG	¼	0.250	6.4	400	1.78	0.08
ZSCO0037EG	⅜	0.375	9.5	400	1.78	0.08
ZSCO0050EG	½	0.500	12.7	400	1.78	0.08
ZSCO0062EG	⅝	0.625	15.9	400	1.78	0.09
ZSCO0075EG	¾	0.750	19.0	400	1.78	0.10
ZSCO0087EG	7⁄8	0.875	22.3	400	1.78	0.11
ZSCO0100EG	1	1.000	25.4	600	2.67	0.14
ZSCO0112EG	1⅛	1.125	28.6	600	2.67	0.15
ZSCO0125EG	1¼	1.250	31.8	600	2.67	0.16
ZSCO0137EG	1⅜	1.375	34.9	600	2.67	0.16
ZSCO0150EG	1½	1.500	38.1	600	2.67	0.16
ZSCO0162EG	1⅝	1.625	41.3	600	2.67	0.17
ZSCO0175EG	1¾	1.750	44.5	800	3.56	0.28
ZSCO0187EG	1⅞	1.875	47.6	800	3.56	0.28
ZSCO0200EG	2	2.000	50.8	800	3.56	0.29
ZSCO0212EG	2⅛	2.125	54.0	800	3.56	0.31
ZSCO0225EG	2¼	2.250	57.2	800	3.56	0.31
ZSCO0237EG	2⅜	2.375	60.3	800	3.56	0.33
ZSCO0250EG	2½	2.500	63.5	800	3.56	0.34
ZSCO0262EG	2⅝	2.625	66.7	800	3.56	0.35
ZSCO0275EG	2¾	2.750	69.9	800	3.56	0.33
ZSCO0287EG	2⅞	2.875	73.0	800	2.56	0.38
ZSCO0300EG	3	3.000	76.2	800	3.56	0.38
ZSCO0312EG	3⅛	3.125	79.4	800	3.56	0.39
ZSCO0325EG	3¼	3.250	82.6	800	3.56	0.41
ZSCO0337EG	3⅝	3.375	85.7	800	3.56	0.43
ZSCO0350EG	3½	3.500	88.9	800	3.56	0.45
ZSCO0362EG	3⅞	3.625	92.1	1000	3.56	0.53
ZSCO0375EG	3¾	3.750	95.3	1000	4.45	0.55
ZSCO0387EG	3⅞	3.875	98.4	1000	4.45	0.57
ZSCO0400EG	4	4.000	101.6	1000	4.45	0.59
ZSCO0412EG	4⅛	4.125	104.8	1000	4.45	0.59
ZSCO0425EG	4¼	4.250	108.0	1000	4.45	0.60
ZSCO0437EG	4⅝	4.375	111.1	1000	4.45	0.60
ZSCO0450EG	4½	4.500	114.3	1000	4.45	0.63
ZSCO0462EG	4⅞	4.625	117.5	1000	4.45	0.63
ZSCO0475EG	4¾	4.750	120.7	1000	4.45	0.65
ZSCO0487EG	4⅞	4.875	123.8	1000	4.45	0.66
ZSCO0500EG	5	5.000	127.0	1000	4.45	0.70
ZSCO0512EG	5⅛	5.125	130.2	1000	4.45	0.71
ZSCO0525EG	5¼	5.250	133.4	1000	4.45	0.73
ZSCO0537EG	5⅝	5.375	136.5	1000	4.45	0.75

CATALOG NUMBER	SIZE OD			DESIGN LOAD		WEIGHT
	in.	in.	mm	lbs.	kN	lbs.
ZSCO0550EG	5½	5.500	139.7	1000	4.45	0.71
ZSCO0562EG	5⅝	5.625	142.9	1000	4.45	0.74
ZSCO0575EG	5¾	5.750	146.1	1000	4.45	0.73
ZSCO0587EG	5⅞	5.875	149.2	1000	4.45	0.78
ZSCO0600EG	6	6.000	152.4	1000	4.45	0.76
ZSCO0612EG	6⅛	6.125	155.6	1000	4.45	0.77
ZSCO0625EG	6¼	6.250	158.8	1000	4.45	0.84
ZSCO0637EG	6⅝	6.375	161.9	1000	4.45	0.86
ZSCO0650EG	6½	6.500	165.1	1000	4.45	0.87
ZSCO0662EG	6⅞	6.625	168.3	1000	4.45	0.89
ZSCO0675EG	6¾	6.750	171.5	1000	4.45	0.90
ZSCO0687EG	6⅞	6.875	174.6	1000	4.45	0.91
ZSCO0700EG	7	7.000	177.8	1000	4.45	0.93
ZSCO0712EG	7⅛	7.125	181.0	1000	4.45	0.94
ZSCO0725EG	7¼	7.250	184.2	1000	4.45	0.95
ZSCO0737EG	7⅝	7.375	187.3	1000	4.45	0.97
ZSCO0750EG	7½	7.500	190.5	1000	4.45	0.98
ZSCO0762EG	7⅞	7.625	193.7	1000	4.45	1.00
ZSCO0775EG	7¾	7.750	196.9	1000	4.45	1.01
ZSCO0787EG	7⅞	7.875	200.0	1000	4.45	1.02
ZSCO0800EG	8	8.000	203.2	1000	4.45	1.04
ZSCO0812EG	8⅛	8.125	206.4	1000	4.45	1.05
ZSCO0825EG	8¼	8.250	209.6	1000	4.45	1.06
ZSCO0837EG	8⅝	8.375	212.7	1000	4.45	1.08
ZSCO0850EG	8½	8.500	215.9	1000	4.45	1.09
ZSCO0862EG	8⅞	8.625	219.1	1000	4.45	1.11
ZSCO0875EG	8¾	8.750	222.3	1000	4.45	1.12
ZSCO0887EG	8⅞	8.875	225.4	1000	4.45	1.14
ZSCO0900EG	9	9.000	228.6	1000	4.45	1.15
ZSCO0925EG	9¼	9.250	235.0	1000	4.45	1.18
ZSCO0937EG	9⅝	9.375	238.1	1000	4.45	1.19
ZSCO0950EG	9½	9.500	241.3	1000	4.45	1.20
ZSCO0962EG	9⅞	9.625	244.5	1000	4.45	1.22
ZSCO0975EG	9¾	9.750	247.7	1000	4.45	1.23
ZSCO1000EG	10	10.000	254.0	1000	4.45	1.26

Other sizes available upon request.

WEL-11822



1 Council Avenue, P.O. Box 608  
Wheatland, PA 16161  
P 800.257.8182  
F 724.346.7260

info@wheatland.com  
wheatland.com  
Follow us on Twitter:  
@WheatlandTube