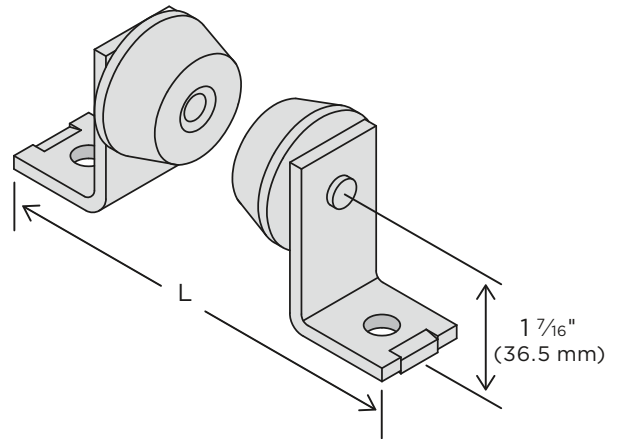


Roller — ZR20

Pipe Roller 1-4" pipe

Standard finish is Electro-Galvanized (EG).

Max load rating of 500 lbs. (2.22 kN) with 12 ga. channel.



CATALOG NUMBER	WEIGHT
	lbs.
ZR201040EG	2.61

Material Specifications and Finishes

Carbon Steel — ASTM A1011-00 SS GR 33 or ASTM A1011-00CS Type B

EG — Electro-Galvanized. Electroplating deposits zinc on the surface of the steel by electrolysis from a bath of zinc salts. Recommended for relatively dry indoor use. This is the standard coating for most ZI-Strut products. Thickness of applied zinc is between 0.2 mils and 0.5 mils (5.1 μm to 12.7 μm). Coatings on ZI-Strut EG products meet ASTM B633 SC1 Type III.

Note: Specifications subject to change without notice.

SUBMITTAL INFORMATION

PROJECT: _____ CONTRACTOR: _____ DATE: _____

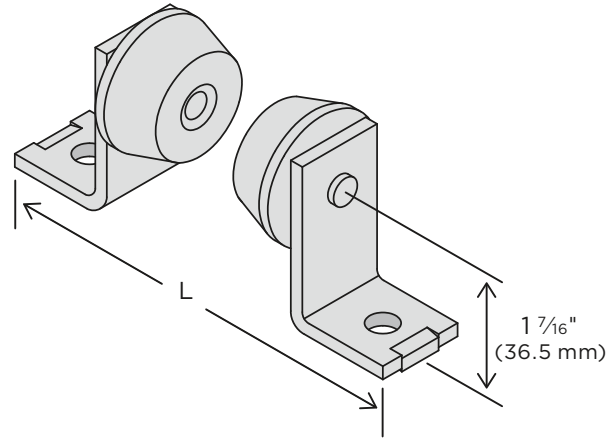
ENGINEER: _____ SPECIFICATION REFERENCE: _____ SYSTEM TYPE: _____

LOCATIONS: _____ COMMENTS: _____

WEL-111822

Roller — ZR20

PIPE SIZE	PIPE COVERING THICKNESS		ACTUAL OD OF PIPE + SHIELD + INSULATION		DIMENSION L		DIMENSION CL	
	in.	mm	in.	mm	in.	mm	in.	mm
¾	0	0.0	1½	27.0	6½	165.1	2 15/16	74.6
	7/8	22.2	3¼	82.6	6½	165.1	4 ½	104.8
	1 1/16	36.5	4 3/8	111.1	8¼	209.6	4 7/16	112.7
	1 1/8	47.6	5 3/8	136.5	8¼	209.6	4 15/16	125.4
1	0	0.0	1½	33.3	6½	165.1	3 ½	79.4
	1 1/16	27.0	3 ¾	92.1	7¼	184.2	4 ¼	108.0
	1 9/16	39.7	4 ¾	117.5	8¼	209.6	4 9/16	115.9
	2 1/8	54.0	5 ¾	146.1	8¼	209.6	5 ½	130.2
1 ¼	0	0.0	1½	42.9	6½	165.1	3 5/8	84.1
	7/8	22.2	3 ¾	98.4	7¼	184.2	4 5/8	109.5
	1 1/8	41.3	5 ½	130.2	8¼	209.6	4 13/16	122.2
	1 5/16	49.2	6	152.4	8¼	209.6	5 ¼	133.4
1 ½	0	0.0	1 7/8	47.6	6½	165.1	3 ¾	85.7
	1	25.4	4 ¼	108.0	8¼	209.6	4 ¾	111.1
	1 ½	38.1	5 ¼	133.4	8¼	209.6	4 7/8	123.8
	2 1/16	58.7	6 5/8	168.3	9¼	235.0	5 1/8	138.1
2	2 13/16	71.4	7 ¾	196.9	9¼	235.0	6	152.4
	0	0.0	2 3/8	60.3	6½	165.1	3 11/16	93.7
	1 1/16	27.0	4 ¾	120.7	8¼	209.6	4 ¾	117.5
	1 9/16	39.7	5 ¾	146.1	8¼	209.6	5 ½	130.2
2 ½	2 1/8	54.0	7 1/8	181.0	9¼	235.0	5 11/16	144.5
	2 5/8	66.7	8 1/8	206.4	10 1/8	257.2	6 1/8	154.0
	3 1/8	79.4	9 1/8	231.8	10 1/8	257.2	6 3/8	168.3
	0	0.0	2 7/8	73.0	6½	165.1	3 15/16	100.0
2 ¾	1 1/16	27.0	5 3/8	136.5	8¼	209.6	4 15/16	125.4
	1 1/8	47.6	6 5/8	168.3	9¼	235.0	5 7/16	138.1
	2 1/16	58.7	7 ¾	196.9	9¼	235.0	6	152.4
	2 1/2	73.0	8 ½	215.9	9¼	235.0	6 1/16	163.5
	3 1/8	85.7	9 ¾	247.7	9¼	235.0	7 1/16	179.4



PIPE SIZE	PIPE COVERING THICKNESS		ACTUAL OD OF PIPE + SHIELD + INSULATION		DIMENSION L		DIMENSION CL	
	in.	mm	in.	mm	in.	mm	in.	mm
3	0	0.0	3 ½	88.9	7¼	184.2	4 ½	104.8
	1	25.4	5 7/8	149.2	8¼	209.6	5 ¼	133.4
	1 1/16	39.7	7¼	184.2	9¼	235.0	5 ¾	146.1
	2 1/16	52.4	8¼	209.6	10 1/8	257.2	6 ½	155.6
	2 9/16	65.1	9 3/8	238.1	10 1/8	257.2	6 ¾	171.5
3 ½	3 1/16	77.8	10 1/8	257.2	10 7/8	276.2	7	177.8
	0	0.0	4	101.6	7¼	184.2	4 ¾	111.1
	1 ¼	31.8	6 5/8	168.3	9¼	235.0	5 1/8	138.1
	1 13/16	46.0	7 3/8	187.3	9¼	235.0	5 13/16	147.6
	2 ¼	57.2	8 5/8	219.1	10 1/8	257.2	6 3/8	161.9
4	2 ¾	69.9	9 3/8	238.1	10 1/8	257.2	6 ¾	171.5
	3 5/16	84.1	10 ¾	273.1	10 1/8	276.2	7 3/8	187.3
	0	0.0	4 ½	114.3	8¼	209.6	4 ½	114.3
	1 1/16	27.0	7 1/8	181.0	9¼	235.0	5 11/16	144.5
	1 9/16	39.7	8 1/8	206.4	10 1/8	257.2	6 1/8	154.0
4 ½	2 1/16	52.4	9 1/8	231.8	10 1/8	257.2	6 5/8	168.3
	2 9/16	65.1	10	254.0	10 1/8	257.2	7 1/16	179.4
	3 1/16	77.8	11¼	285.8	10 1/8	276.2	7 5/8	193.7
	4 1/16	103.2	13	330.2	10 1/8	276.2	8 1/16	217.5

WEL-111822