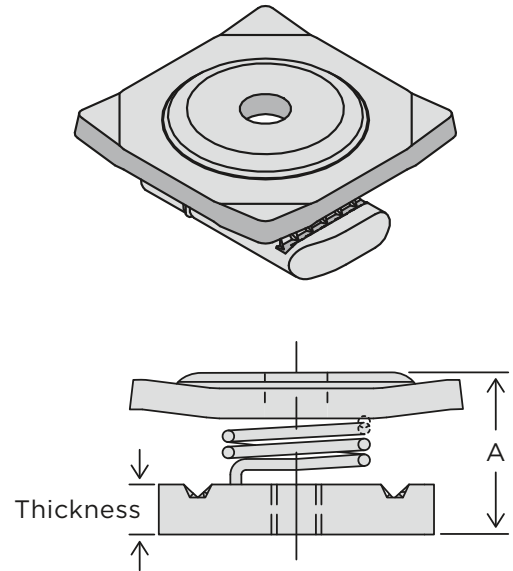


Channel Nut — ZCNW

Combo Nut Washer

Standard finish is Electro-Galvanized (EG).

For all channel sizes except as noted.



CATALOG NUMBER	THREAD SIZE	THICKNESS		A		WEIGHT lbs.
		in.	mm	in.	mm	
ZCNW30025EG	¼"-20	0.37	9.4	0.81	20.6	0.120
ZCNW30037EG	⅜"-16	0.37	9.4	0.81	20.6	0.113
ZCNW40050EG*	½"-13	0.50	12.7	0.91	23.1	0.130

* Cannot be used with ⅜" channel.

Material Specifications and Finishes

Carbon Steel — ASTM A1011-00 SS GR 33 or ASTM A1011-00CS Type B

Note: Specifications subject to change without notice.

EG — Electro-Galvanized. Electroplating deposits zinc on the surface of the steel by electrolysis from a bath of zinc salts. Recommended for relatively dry indoor use. This is the standard coating for most ZI-Strut products. Thickness of applied zinc is between 0.2 mils and 0.5 mils (5.1 µm to 12.7 µm). Coatings on ZI-Strut EG products meet ASTM B633 SC1 Type III.

SUBMITTAL INFORMATION

PROJECT: _____ CONTRACTOR: _____ DATE: _____

ENGINEER: _____ SPECIFICATION REFERENCE: _____ SYSTEM TYPE: _____

LOCATIONS: _____ COMMENTS: _____

WEL-111822