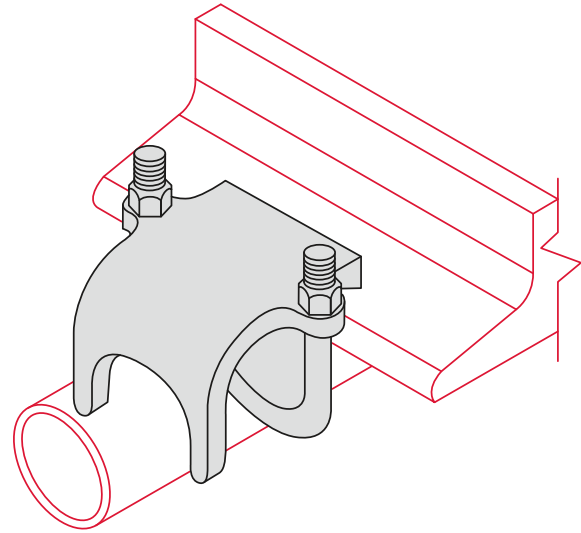


Beam Clamp – ZRA

Right Angle Clamp

Standard finish is Hot Dip Galvanized (HD).



CATALOG NUMBER	WEIGHT		PIPE SIZE	
	lbs.	in.	in.	mm
ZRA0050HD	0.38	1/2	15	
ZRA0075HD	0.41	3/4	20	
ZRA0100HD	0.46	1	25	
ZRA0125HD	0.49	1 1/4	32	
ZRA0150HD	0.59	1 1/2	40	
ZRA0200HD	0.88	2	50	
ZRA0250HD	1.09	2 1/2	65	
ZRA0300HD	1.31	3	80	
ZRA0350HD	1.48	3 1/2	90	
ZRA0400HD	1.66	4	100	

Material Specifications and Finishes

Carbon Steel – ASTM A1011-00 SS GR 33 or ASTM A1011-00CS Type B

HD – Hot Dip Galvanized After Fabrication. Fabricated product is dipped in molten zinc and is completely covered on all surfaces. Recommended for outdoor use. Coatings on ZI-Strut HD products meet ASTM A123/153. The zinc coating is typically 2.6 mils (66.0 µm) or 1.5 oz. per square foot (0.46 kg per square meter) per side.

Note: Specifications subject to change without notice.

SUBMITTAL INFORMATION

PROJECT: _____ CONTRACTOR: _____ DATE: _____

ENGINEER: _____ SPECIFICATION REFERENCE: _____ SYSTEM TYPE: _____

LOCATIONS: _____ COMMENTS: _____

WEL-111722