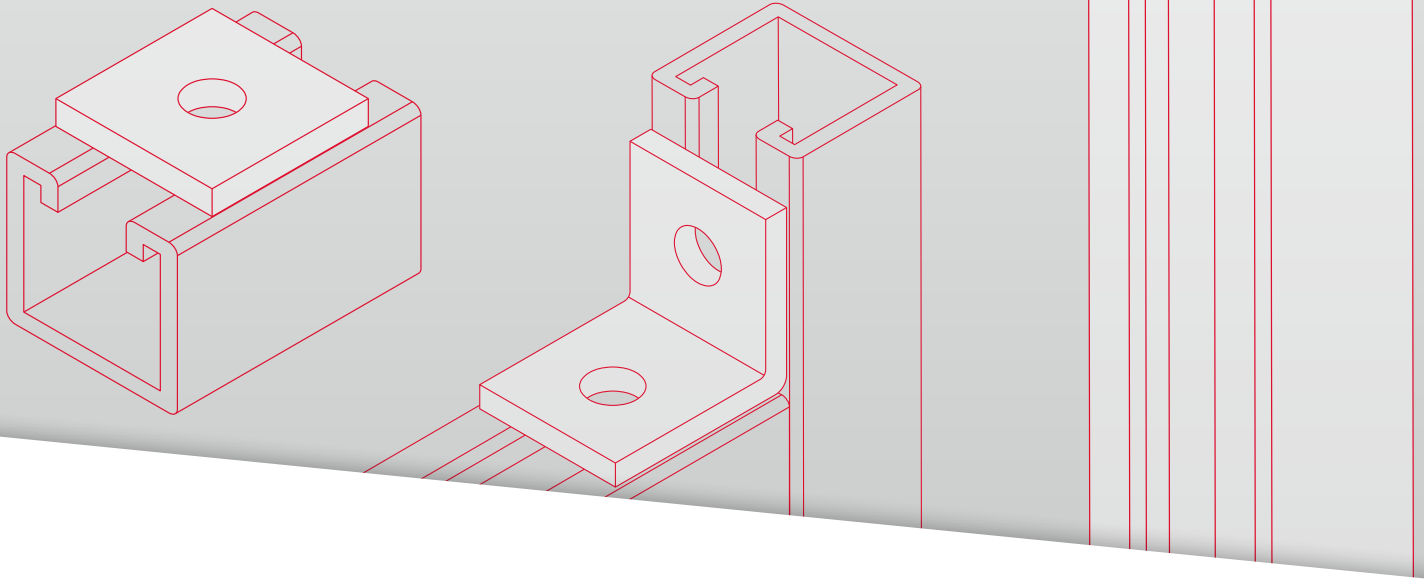


INTRODUCING: **ZI-STRUT® AND ACCESSORIES**



AMERICAN-MADE FOR THE QUALITY AND AVAILABILITY YOU EXPECT.

There's even more to love about ZI-Strut now that we're offering a full line of complementary accessories. Our expanded line allows you to order strut, accessories and conduit from Wheatland Tube — all in one place* and from the brand you trust for a full line of steel and aluminum conduit, EMT and EC&N.

ZI-STRUT SPECS:

- Available in multiple punch configurations (see back side for options)
- Made of high-quality domestic steel
- Pre-galvanized finish
- Sizes: 1 $\frac{5}{8}$ " x 1 $\frac{5}{8}$ " | 1 $\frac{5}{8}$ " x 1 $\frac{3}{16}$ "
- Thickness: 12 gauge, 14 gauge

Contact your local rep to order strut, accessories and conduit today.

*The availability of co-loading is based on order volume.

NEARLY 1,000 ACCESSORIES AVAILABLE:

- Channel Nuts
- Hardware
- Strut Clamps
- Conduit & Tubing Clamps
- Flat Fittings
- Angle Fittings
- Beam Clamps
- Brackets
- Concrete Inserts
- Electrical
- Post Bases
- Rollers
- Threaded Rod
- U-Fittings
- Wing Fittings
- Z-Fittings
- Rooftop Support Blocks

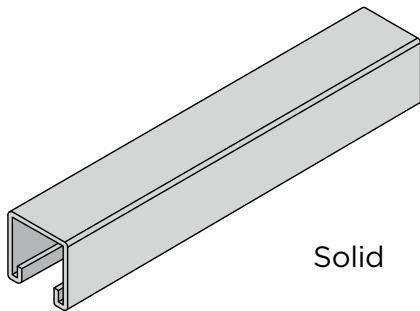
METAL FRAMING

Download the ZI-Strut product catalog for full product details and specifications.

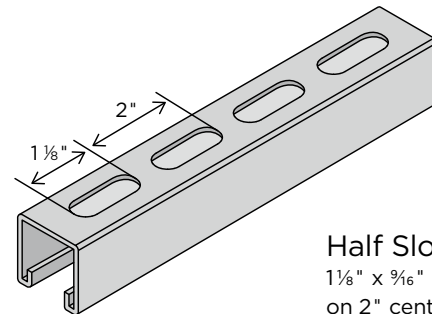


Manufactured right here in North American facilities, ZI-Strut® is cold-formed from hot-rolled, structural grade carbon steel.

PUNCHING OPTIONS:

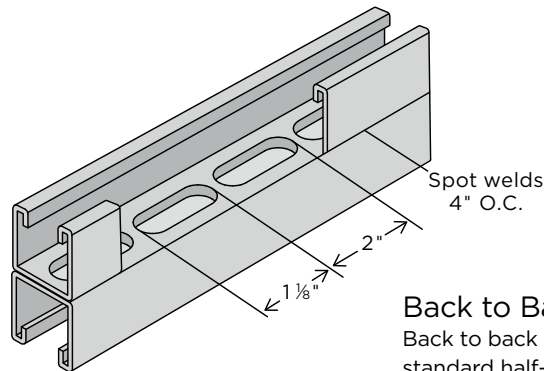


Solid



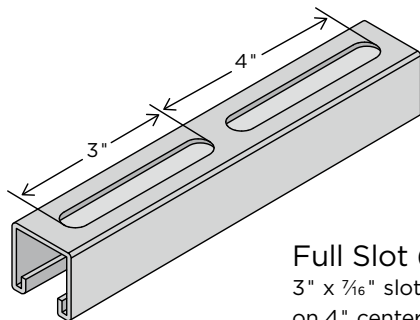
Half Slot (HS)

1 1/8" x 1/16" slots punched on 2" centers



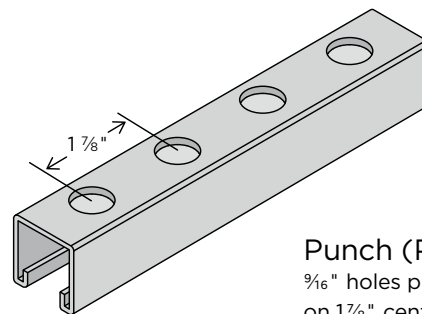
Back to Back (BTB)

Back to back channel with standard half-slots



Full Slot (FS)

3" x 1/16" slots punched on 4" centers



Punch (P)

1/16" holes punched on 1 7/8" centers

Contact your local rep to order strut, accessories and conduit today.