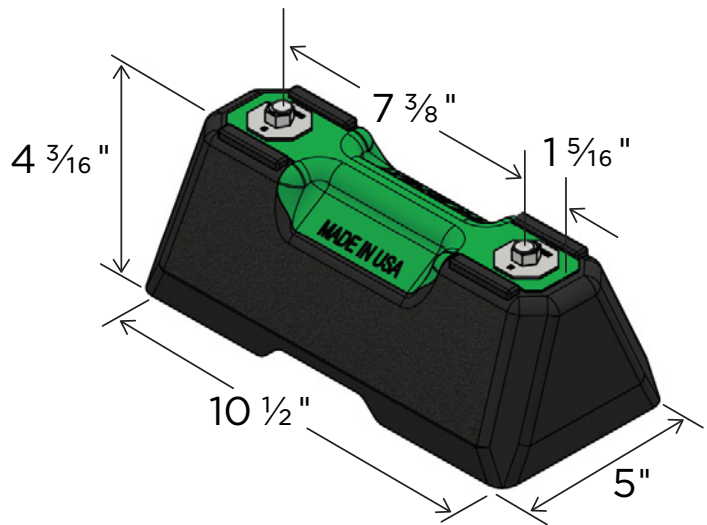


# Rooftop Support Blocks — ZRSB

## Plain Base

The ZRSB Rooftop Support is UV resistant and suitable for installation on most types of roofing material or other flat surfaces. Can be used as a curb (sleeper) replacement. Screw fasteners can be used to attach one or two hole pipe straps or a piece of strut (not included).



CATALOG NUMBER	WEIGHT		UNIFORM LOAD CAPACITY*	
	lbs.	lbs.	lbs.	kN
ZRSB000ORB	4.3	1000	4.4	

\* This load is only for the capacity of the components in this assembly. Please consult roofing manufacturer or engineer for roof load capacity.

## SUBMITTAL INFORMATION

PROJECT: \_\_\_\_\_ CONTRACTOR: \_\_\_\_\_ DATE: \_\_\_\_\_

ENGINEER: \_\_\_\_\_ SPECIFICATION REFERENCE: \_\_\_\_\_ SYSTEM TYPE: \_\_\_\_\_

LOCATIONS: \_\_\_\_\_ COMMENTS: \_\_\_\_\_

ZI-120523